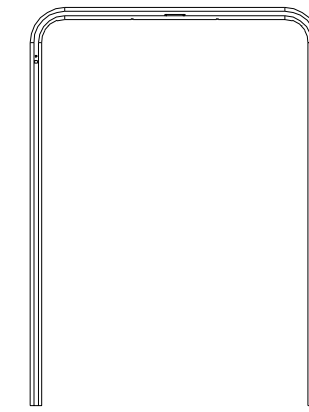
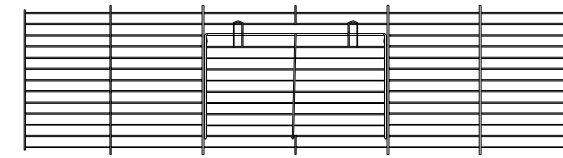


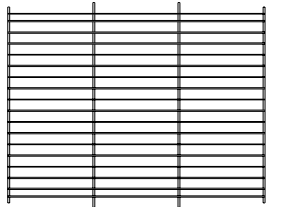
# 24147/R6A Basic Components



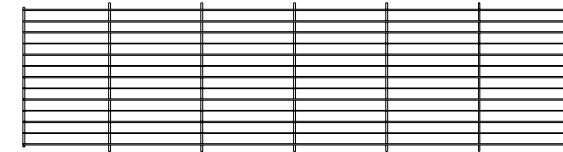
A=2 X  
Side Frame



B=1 X  
Front Grill



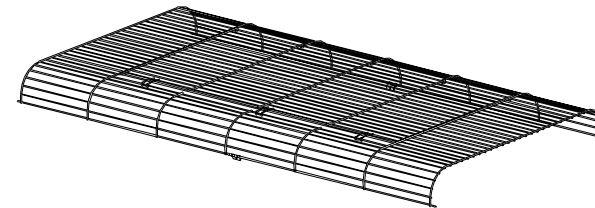
D=2 X  
Side Grill



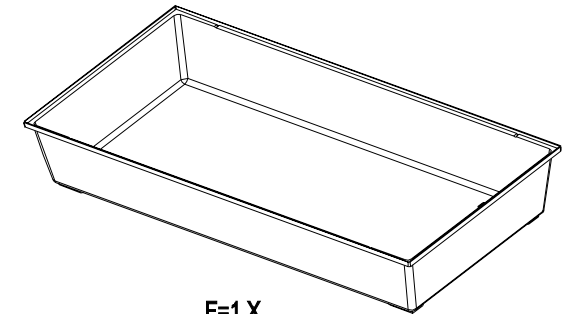
C=1 X  
Back Grill



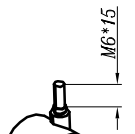
H=1 X  
Fence



E=1 X  
Top Grill



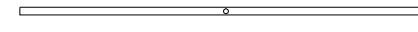
F=1 X  
Base



M=4 X  
Wheel



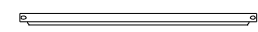
I=1 X Long Front Bottom Bar



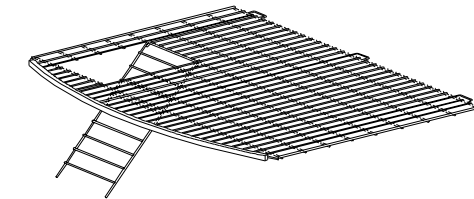
K=2 X Long Front / Back Top Bar



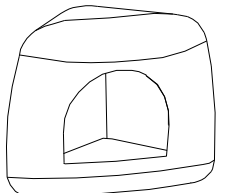
L=1 X Long Back Bottom Bar



O=2 X Short Side Slip



G=1 X  
Platform Grill



S=1 X  
Toilet



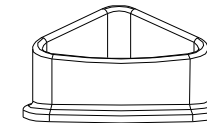
J=2 X  
Top Locker



N=8 X  
Bolt M6\*35



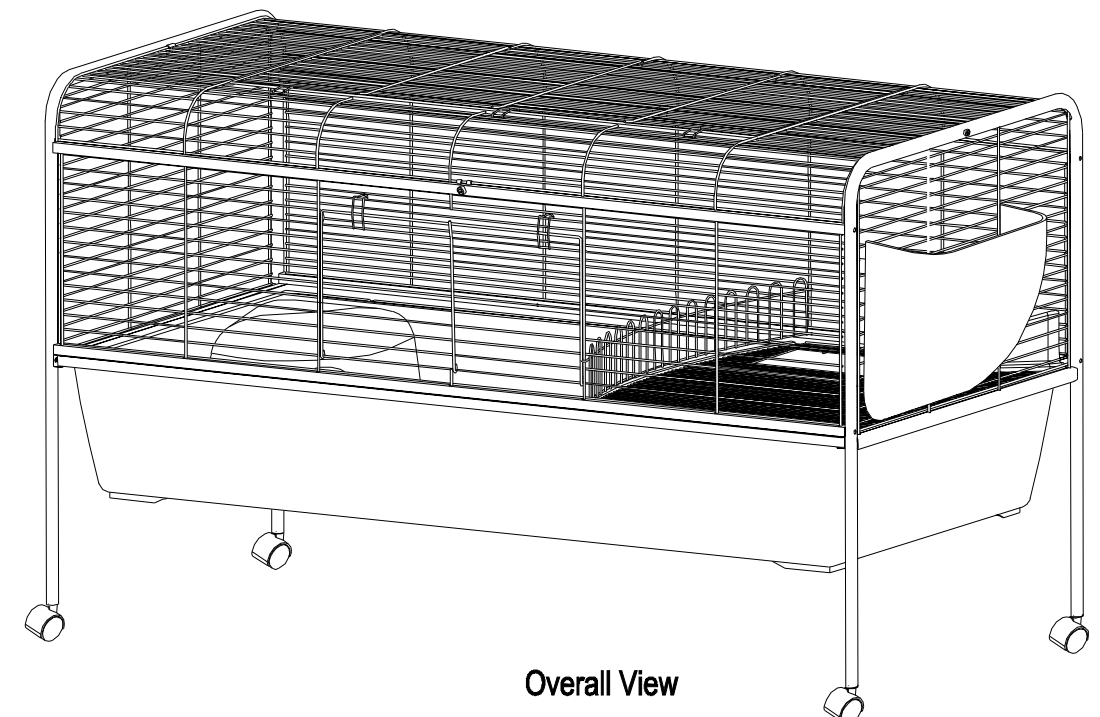
P=4 X  
Bolt M6\*20



T=1 X  
Bowl

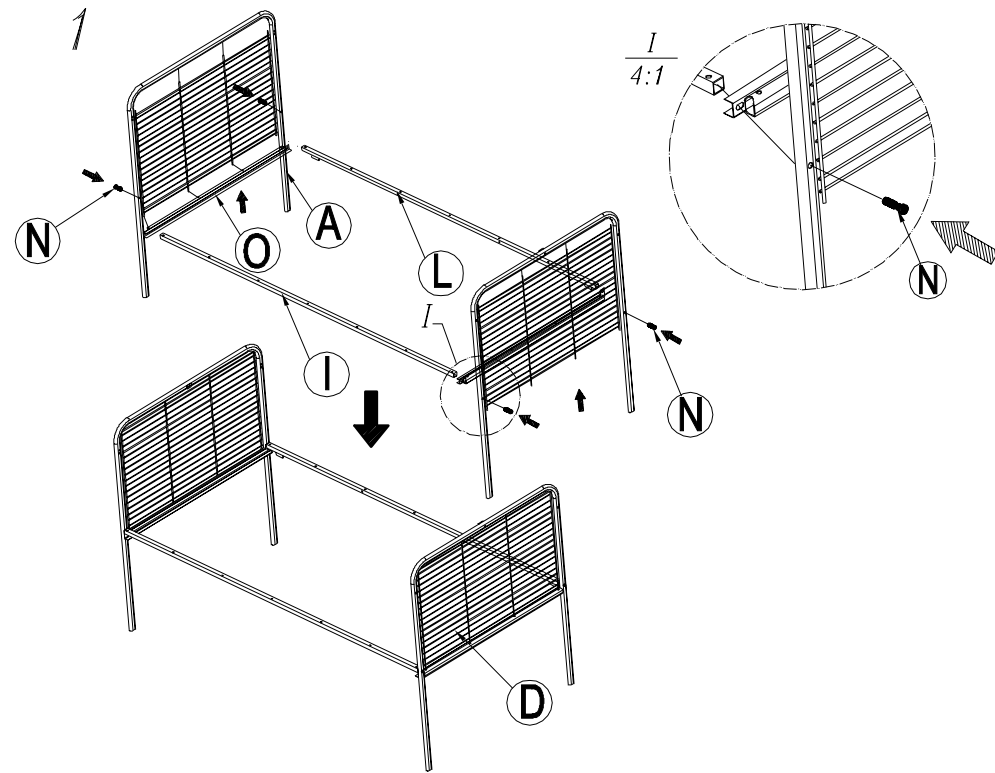


R=1 X Hayrack

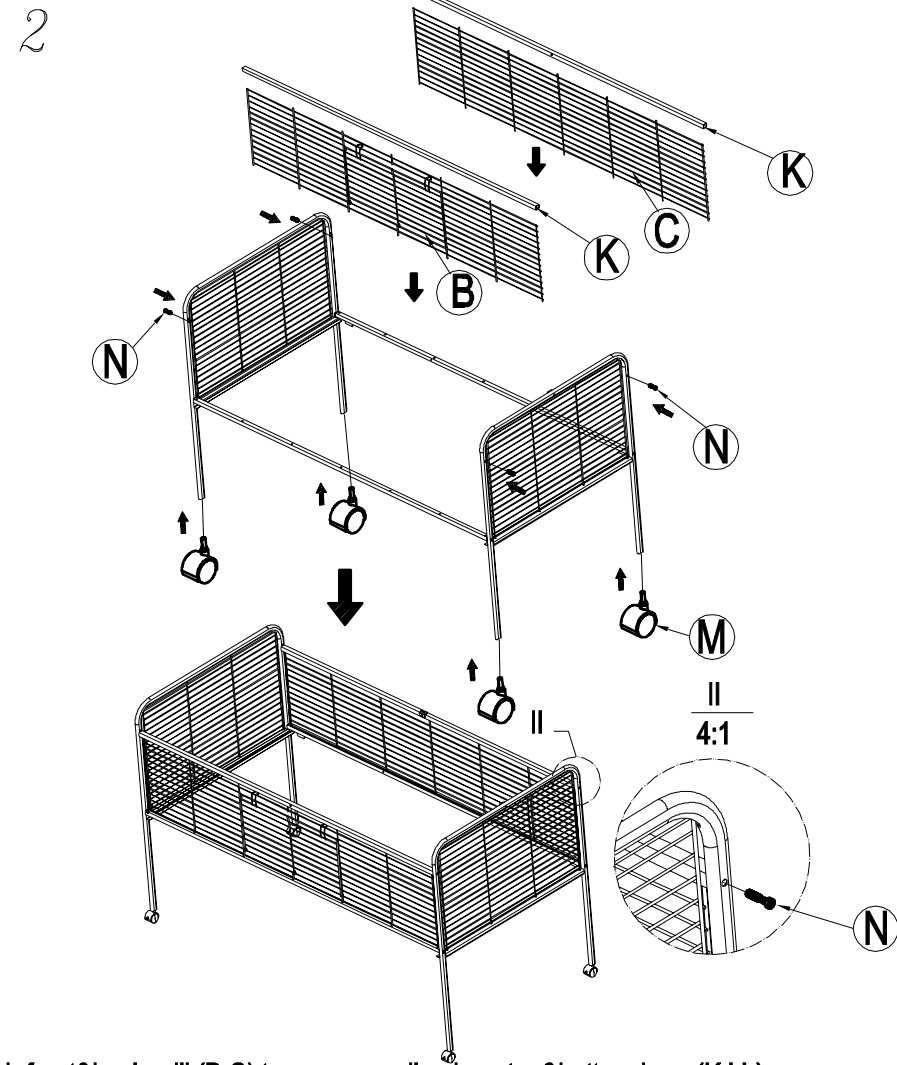


Overall View

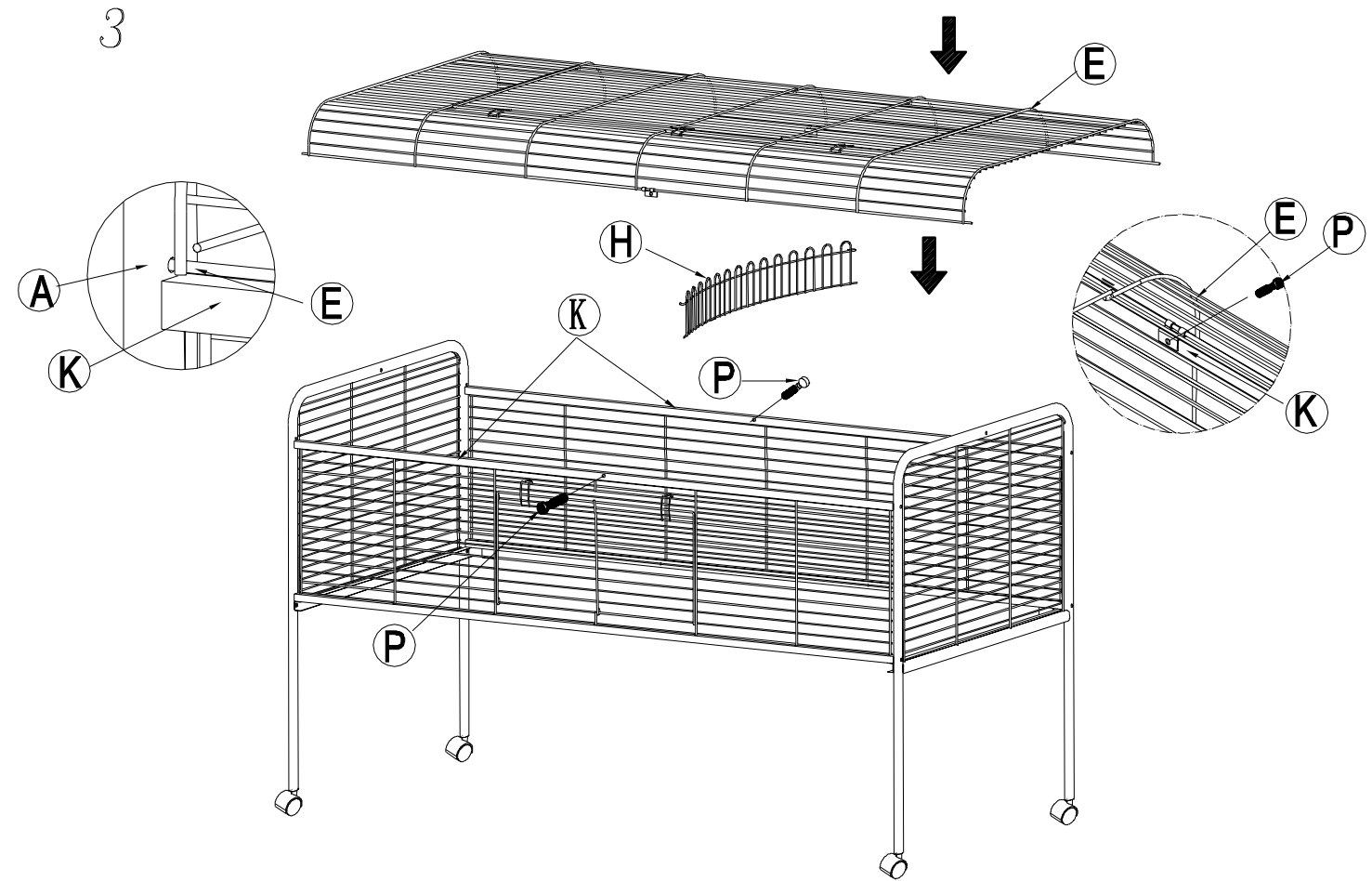
# 24147/ R6A Assembly Instructions



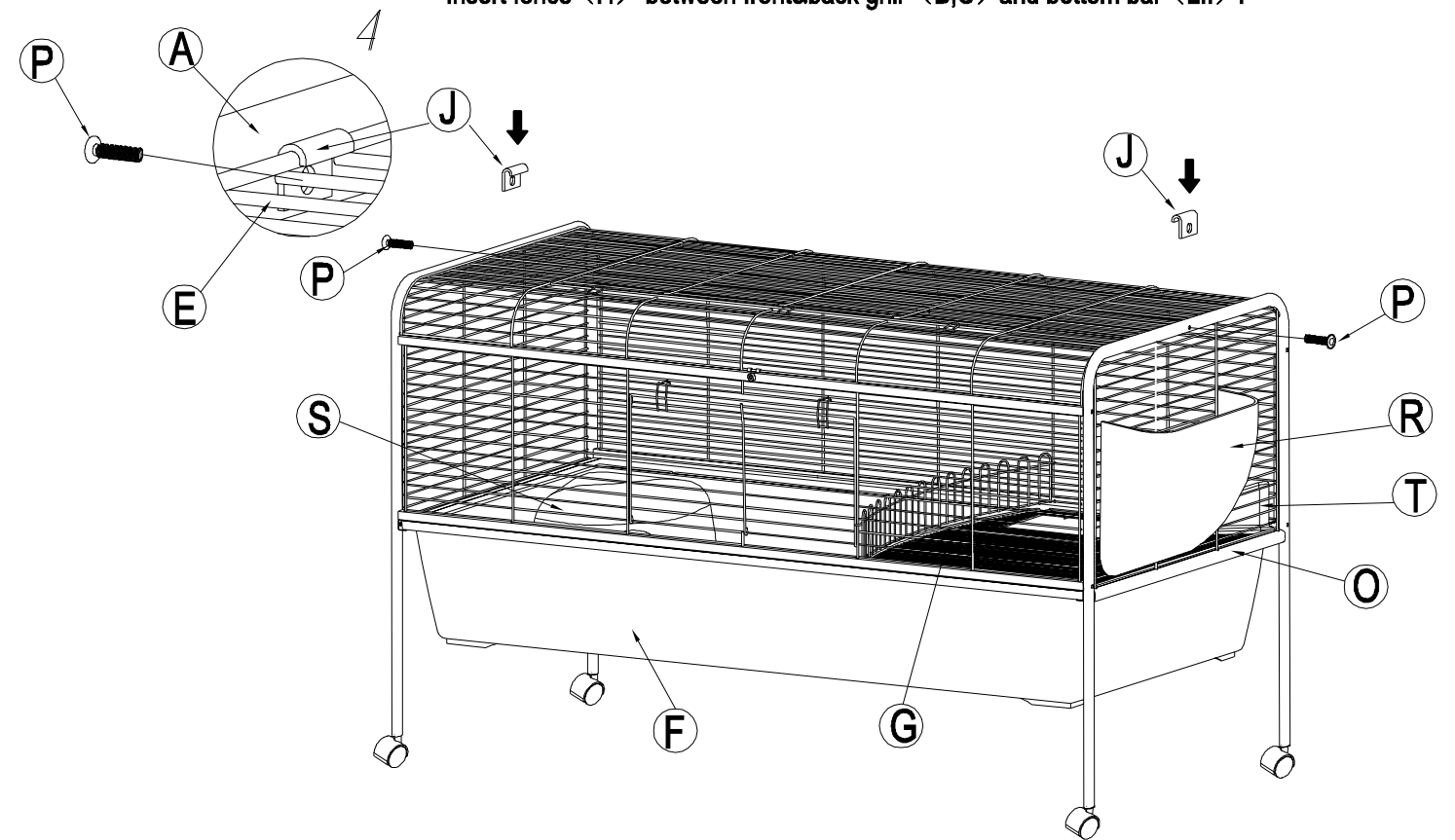
Step 1. Insert side grill (D) into side frame (A). Attach the guide bars (O) and the long bottom bars (I, L) to side frames (A).



Step 2. Attach front & back grill (B, C) to corresponding long top & bottom bars (K, I, L). Attach the bars to the side frames with bolts (N) and insert wheels into feet.



Step 3. Attach top grill onto top bars (K) and fix them at back with bolt (P). Insert fence (H) between front & back grill (B, C) and bottom bar (L).



Step 4. Put platform grill (G) into base and insert base into guide bars (O). Put other accessories onto cage.